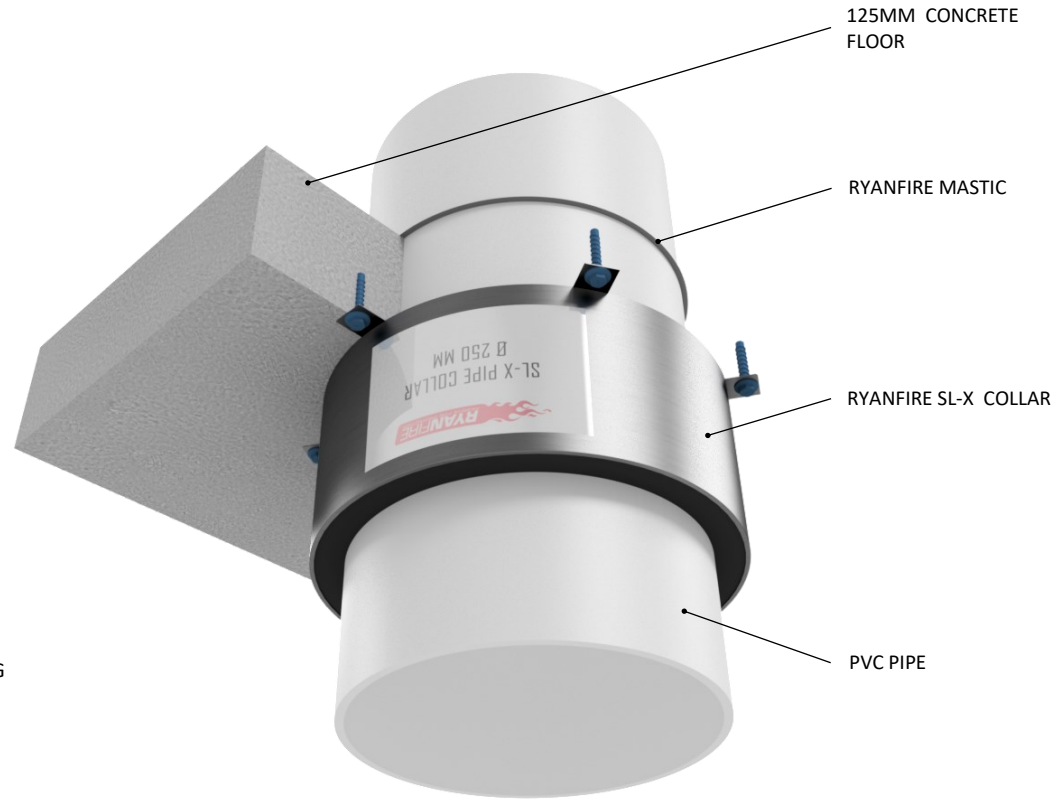


**INSTALLATION INSTRUCTIONS**

1. ENSURE THE APERTURE IS CLEAN AND FREE OF DUST AND DEBRIS.
2. SELECT THE CORRECT SIZE SL-X COLLAR TO FIT AROUND THE PVC PIPE.
3. APPLY RYANFIRE MASTIC INTO THE ANNULAR GAP BETWEEN THE PIPE AND THE FLOOR ON BOTH SIDES OF THE FLOOR.
4. POSITION THE RYANFIRE SL-X COLLAR AROUND THE PIPE AND SLIDE IT UP UNTIL IT IS FLUSH WITH THE BOTTOM OF THE FLOOR.
5. FIX THE SL-X COLLAR TO THE CONCRETE FLOOR USING 32MM CONCRETE ANCHOR BOLTS. ENSURE ALL FIXING POINTS ARE USED.



<b>Products:</b>	<b>RYANFIRE SL COLLAR RYANFIRE MASTIC</b>
<b>Approvals:</b>	<b>AS 1530.4/AS 4072.1</b>
<b>BK:</b>	<b>196 / 202 / 244</b>
<b>Ref:</b>	<b>23SFR00017 / 23SFR00015 / 23SFR00061</b>
<b>ID:</b>	<b>B / A / A</b>
<b>Scenario:</b>	Penetration seal to large diameter uPVC pipes
<b>Services:</b>	Ø200mm - Ø250mm uPVC pipes
<b>Construction:</b>	125mm concrete floors
<b>Fire Integrity:</b>	120 minutes
<b>Fire Insulation:</b>	120 minutes

Web based drawings are for example only. Fire performance of any system is dependant on, but not limited to, size of opening, substrate, if penetrations are passing through, type, size and number. Please refer to Ryanfire technical department for detailed and specific fire performance information.



RYANFIRE Technical Support:  
info@ryanfire.co.nz - Tel 09 443 0362

Drawing Title  
**Ryanfire SL-X Collar to PVC pipes  
125mm concrete floors**

Scale	NTS	Date	March 2024
Drawing Number	V22.47	Rev	2.0

All errors and omissions excepted. The information contained within this drawing is believed to be correct on the date of publication, and is based upon tested and certified solutions. The policy of Ryanfire Products Ltd is one of constant improvement. Installers must ensure that they are following the latest published drawings, test evidence and instructions. Whilst Ryanfire Products Ltd will endeavour to keep its publications up to date, the accuracy of the information contained within this drawing may be affected by pertinent changes in the law or regulatory requirements and alterations or amendments to the specification of the manufactured products. Terms and conditions of sale apply.

Ryanfire Products Ltd owns and has copyright to these drawings. They are to be used only for the purpose for which they were intended and supplied and are not to be sold, transferred or made available for use by a third party. Any misuse of these drawings will result in legal proceedings.